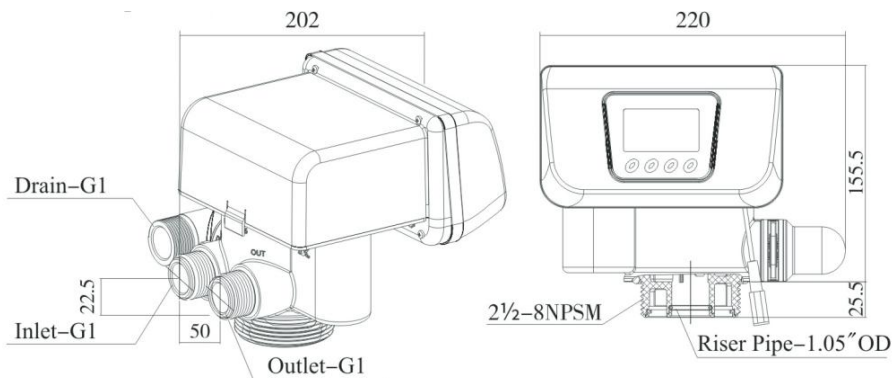


**1. Product dimension of F67K(The appearance is just for reference. It is subjected to the actual product).**



**\*\*\*Note:The inlet and outlet positions of F67K and F67D are different. Please be careful not to connect them wrongly during installation!**

## 2. F67K Valve Body Components

Item No.	Description	Parts No.	Quantity	Item No.	Description	Parts No.	Quantity
1	O ring 73×5.3	8378143	1	18	Cable Clip	8126004	1
2	O ring 25.8×2.65	8378078	3	19	Wire for Power	5513001	1
3	Elbow connector	8457034	1	20	Dust Cover	8005006	1
4	O ring 28×2.65	8378031	1	21	Screw,Cross ST2.9X16	8909010	4
5	Valve body	5022184	1	22	Control Board	6382043	1
6	Screw,Cross ST2.9X9.5	8909008	6	23	Wire for locating board	5511001	1
7	Seal Ring	8370021	1	24	Screw,Cross ST2.2X6.5	8909004	4
8	Fixed Disk	8469013	1	25	Wire for Display Board	5512001	1
9	Moving Disk	8459014	1	26	Display Board	6381006	1
10	Shaft	8258004	1	27	Front Cover	8300001	1
11	Anti-friction Washer	8216004	1	28	Label	8865024	1
12	O ring 73×3.55	8378128	1	29	Screw,Cross ST3.9×16	8909044	4
13	O ring 38.7×3.55	8378184	1	30	Small Gear, Motor	8241003	1
14	Fitting Nut	8092004	1	31	Pin	8993003	1

15	Locating board	6380080	1	32	Motor	6158011	1
16	Big Gear, Driven	5241002	1	33	Clip	8270004	1
17	Screw,Cross ST3.9X13	8909013	1				

### F67K Valve Body Assembly

